



GP AT A GLANCE	
Material:	316 Stainless Steel
Working Pressure:	6000 psig (413 bar)
Orifice:	0.406 in.
Flow Pattern:	Bi-directional
Actuation:	90 °
Seat Material:	PEEK
End Connection Sizes:	1/2 in., 3/4 in.
End Connection Types:	Tube Fittings, FNPT

TEMPERATURE PRESSURE		
End Connections	D8, 8PF, 12PF	D12
Temperature, F (C)	Working Pressure, psig (bar)	
-40 (-40) to 100 (37)	6000 (413)	5800 (400)
150 (65)	5800 (400)	
200 (93)	5600 (386)	5600 (386)

1 FLOATING BALL DESIGN

- Upstream pressure assists sealing against the downstream seat
- Compensates for seat wear

2 OPTIONAL LIVE-LOADED SEATS

- Improves sealing in high, low and dynamic pressure and flow conditions
- Fully supported seats improve cycle-life

3 PEEK SEATS

- PEEK seats for chemical compatibility and durability

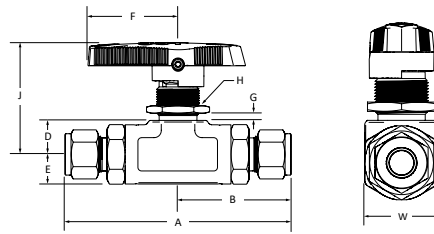
4 STRAIGHT THROUGH FLOW PATH

- Bi-directional flow
- Minimal pressure drop

4 DURABLE DIRECTIONAL HANDLE

- Stainless steel reinforced nylon handle for durability
- Indicates flow direction

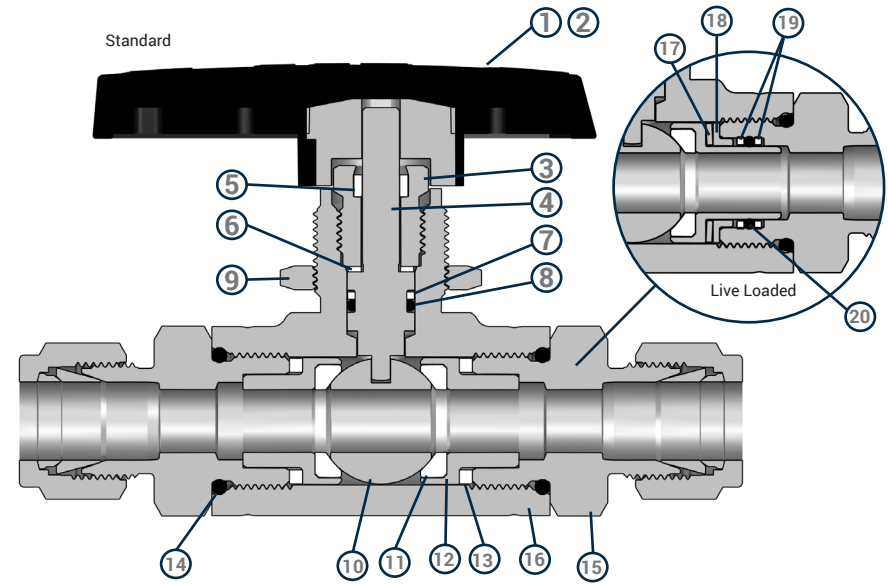
Ordering Information



Connection		Part Number	Orifice	Cv	Dimensions, in. (mm)								
Type(s)	Size				A	B	D	E	F	G	H	J	W
Fractional Tube Fitting	1/2 in.	L28PD8-316	0.406	6.42	4.68 (118.8)	2.34 (59.4)	0.70 (17.8)	0.61 (15.5)	1.86 (47.2)	7/16	29/32	2.31 (58.7)	1.22 (31.0)
	3/4 in.	L28PD12-316	0.406	6.42	4.66 (118.4)	2.33 (59.2)	0.70 (17.8)	0.61 (15.5)	1.86 (47.2)	7/16	29/32	2.31 (58.7)	1.22 (31.0)
Female NPT	1/2 in.	L28P8PF-316	0.406	6.42	4.30 (109.2)	2.15 (54.6)	0.70 (17.8)	0.61 (15.5)	1.86 (47.2)	7/16	29/32	2.31 (58.7)	1.22 (31.0)
	3/4 in.	L28P12PF-316 ¹	0.406	6.42	4.50 (114.2)	2.25 (57.1)	0.70 (17.8)	0.61 (15.5)	1.86 (47.2)	7/16	29/32	2.31 (58.7)	1.22 (31.0)

¹ Not recommended for panel mounting

Materials of Construction



(basic ordering number)



L28 P D8 -316

Options



-LD -RD

A VALVE DESIGN

L28 2-Way (Low-Temperature)

B SEATS

P PEEK - Non Live Loaded
PL Reinforced PEEK - (Live Loaded)

E OPTIONS¹

HANDLES
(Blank) Black -LD Locking Hardware
-RD Red
-NH No Handle

OTHER OPTIONS

C INLET/OUTLET TYPE & SIZE

D8 1/2 in. Duolok® Tube Fitting
D12 3/4 in. Duolok® Tube Fitting
8PF 1/2 in. Female NPT
12PF 3/4 in. Female NPT

D BODY MATERIAL

-316 316 SS

¹ Add options designators to the end of the Base Part Number in alphabetical order.

Actuator Brackets & Couplings

Actuator brackets and couplings are available for ISO 5211 compliant actuators. Actuator kits contain the actuator bracket, plate, coupling and fasteners required to install the actuator bracket and connect to the actuator.



Actuation Torque

Use the table on the right to select the correct actuator for the valve and application. The values listed are minimum required actuator torque at maximum system pressure for each valve.

Valve Series	ISO 5211 Flange Size	Coupling Size	Fastener Type	Part Number
28	F04	11 mm ISO	Metric	28-MB-F04-11ISO-M
			Fractional	28-MB-F04-11ISO-F
		11 mm DIN	Metric	28-MB-F04-11DIN-M
			Fractional	28-MB-F04-11DIN-F
	F05	11 mm ISO	Metric	28-MB-F05-11ISO-M
			Fractional	28-MB-F05-11ISO-F
		11 mm DIN	Metric	28-MB-F05-11DIN-M
			Fractional	28-MB-F05-11DIN-F
		14 mm ISO	Metric	28-MB-F05-14ISO-M
			Fractional	28-MB-F05-14ISO-F
		14 mm DIN	Metric	28-MB-F05-14DIN-M
			Fractional	28-MB-F05-14DIN-F

Actuation Torque	
28 Series Valve	
in-lb (N-m)	
Start	End
64	40

ID	Component	Material / Specification
1	Handle	Nylon with SS Insert
2	Handle Set Screw	17-4 PH
3	Packing Bolt	316 SS / A479
4*	Stem	316 SS / A276
5	Stem Support	PTFE / D1710
6	Stem Bearing	PEEK
7	Stem Back-Up Ring	PTFE / D1710
8*	Stem O-Ring	Low-Temp Nitrile
9	Panel Nut	316 SS / A479
10*	Ball	316 SS / A276
11*	Seat	PEEK ¹ / Reinforced PEEK ²
12*	Seat Carrier	316 SS / A479
13* ¹	Seat Carrier Seal	PTFE / D1710
14*	End Screw O-Ring	Low-Temp Nitrile
15*	End Screw	316 SS / A479
16*	Body	316 SS / A182
17* ²	Seat Spring	301 SS
18* ²	Seat Spring Support	316 SS
19* ²	Seat Back-Up Ring	PTFE
20* ²	Seat O-Ring	Low-Temp Nitrile

* Wetted Component

¹ Standard Seat Only

² Live Loaded Seats Only